

Tiandy



TC-C35VN Spec:I3/E/Y/1.4mm/V4.2 5MP Fisheye Camera



Pro Series

KEY FEATURES

- Plastic Housing
- Up to 2592x1944@25fps
- S+265/H.265/H.264
- Min. illumination Color: 0.02Lux@F2.0
- Smart IR, IR Range: 30m
- Audio I/O 1/1, Alarm I/O 1/1
- Support Tripwire, Perimeter, Double Tripwire
- Heatmap
- Built-in Mic, SD Card Slot
- Operating Conditions -10°~50°, 0~95% RH
- POE
- Support Realtime Brightness Function
- Surge Protection 6KV
- CE, FCC



Tiandy Technologies Co.,Ltd.

Email: sales@tiandy.com

Tel: +86-22-58596065

Website: en.tiandy.com

Fax: +86-22-58596048



SPECIFICATIONS

Camera	
Image Sensor	1/2.7" CMOS
Signal System	PAL/NTSC
Min. Illumination	Color: 0.02Lux@ (F2.0, AGC ON), B/W: 0Lux with IR
Shutter Time	1s to 1/100,000s
Day & Night	Dual IR Cut Filter with Auto Switch
Wide Dynamic Range	120dB
Lens	
Lens Type	Fixed
Focus	1.4mm
Lens Mount	M12
Aperture	F2.0, Fixed
FOV	Horizontal field of view: 180° Vertical field of view: 180° Diagonal field of view: 180°
Illuminator	
IR LEDs	3
IR Range	Up to 30 m
Wavelength	850nm
White LEDs/Warmlights	N/A
Range	N/A
Compression Standard	
Video Compression	S+265/H.265/H.264/Motion JPEG
Video Bit Rate	32Kbps~8Mbps
Audio Compression	G.711A/G.711U/ADPCM_D/AAC_LC
Audio Bit Rate	8K~48Kbps
Image	
Max. Resolution	2592×1944
Main Stream	Max 30fps(2592x1944,2560x1440,1920x1080,1280x720)
Sub Stream	Max 30fps(704x576, 640x360, 704x288,352x288)
Third Stream	Max 30fps(1920x1080, 1280*720)
Image Setting	Saturation, brightness, contrast, sharpness, adjustable by client software or web browser
Image Enhancement	BLC/3D DNR/HLC
ROI	8
OSD	16×16, 32×32, 48×48, 64×64, 96×96, adaptable size, Letters Such as Week, Date, Time, Total 5 Regions
Picture Overlay	Yes
Privace Mask	Yes, 4 regions
Smart Defog	N/A
Image segmentation	Fisheye, 180° panorama, 360° panorama +1PTZ, fisheye +3PTZ, Fisheye +4PTZ, 360° panorama +6PTZ, Fisheye +8PTZ, Panorama, panorama +3PTZ, Panorama +4PTZ, panorama +8PTZ



Feature	
Alarm Trigger	Motion Detection, Mask Alarm, IP Address Conflict
Video Analytics	Tripwire,Perimeter,Double Tripwire,Heatmap
Early Warning(EW)	N/A
Network	
ANR	Yes, auto store video in SD card when NVR disconnected, and upload video to NVR when resumed connection (Only Support Tiandy ANR NVR)
Protocols	HTTP,HTTPS,TCP/IP,UDP,UPnP,ICMP,IGMP,SNMP,DHCP,DNS,DDNS,Easy DDNS,NTP,SMTP,IEEE802.1X,QoS,IPv4,IPv6,PPPOE,SSH,Unicast,Multicast,RTCP,ARP
System Compatibility	ONVIF (PROFILE S/T/G), SDK, CGI,Milestone,SRTP,RTMP,RTSP
Remote Connection	≤2
Client	Easy7, EasyLive Plus
Web Version	Web6
Interface	
Communication Interface	1 RJ45 10M/ 100M self adaptive Ethernet port
Audio I/O	1/1
Alarm I/O	1/1
Speaker	N/A
Reset Button	Yes
On-board storage	Built-in Micro SD card slot, up to 512 GB
General	
Web Client Language	17 languages Simplified Chinese/English/Traditional Chinese/Spanish/Italian/Korean/Turkish/Russian/Thai/Polish/French/Dutch/Hebrew/Vietnamese/Arabic/German/Ukrainian
Operating Conditions	-10°C ~ 50°C, 0~95% RH
Power Supply	DC 12V±25%, PoE (IEEE802.3af)
Power Consumption	MAX: 11W(12V) MAX: 11.6W(POE)
Protection	N/A
Heater	N/A
Dimensions	122mm (D) ×37.5mm (H)
Net Weight	0.26kg
Dimensions of single packing case	138×138x110mm
Gross Weight	0.42kg
Volume of packing box	24

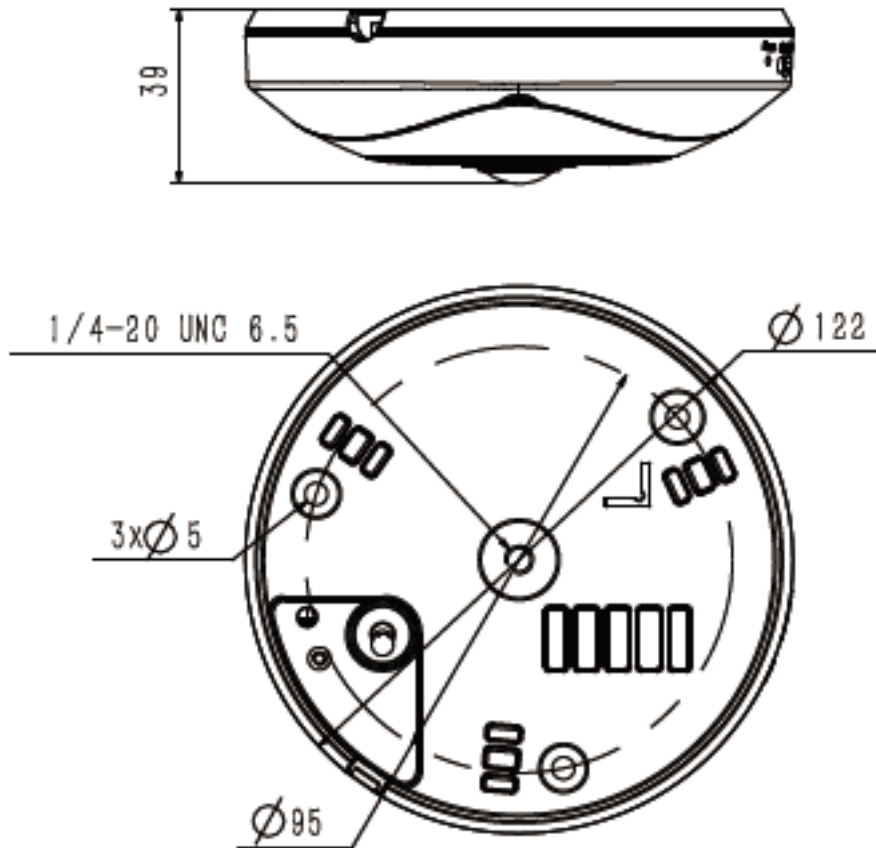
* Listed resolutions are only selectable options. It does not mean that all streams can work at their maximum resolution at the same time.

AVAILABLE MODEL

TC-C35VN SPEC:I3/E/Y/1.4MM/V4.2

Tiandy

DIMENSIONS (Unit: mm)



DISTRIBUTED BY



Tiandy Technologies Co.,Ltd.

Email: sales@tiandy.com
Website: en.tiandy.com

Tel: +86-22-58596065
Fax: +86-22-58596048